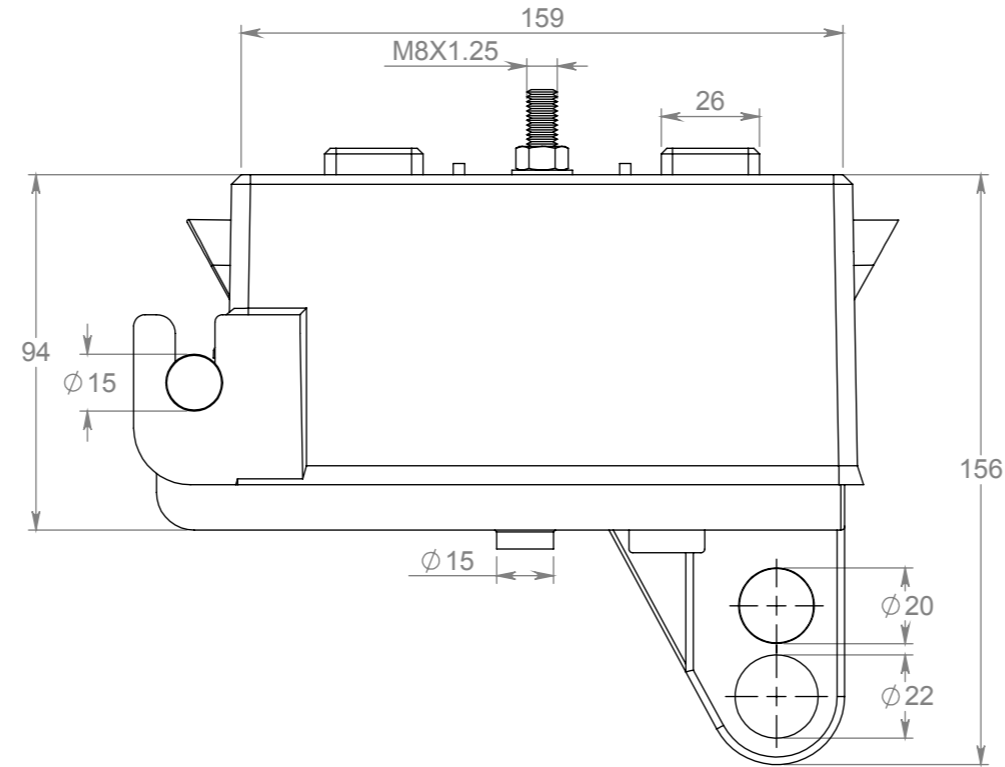
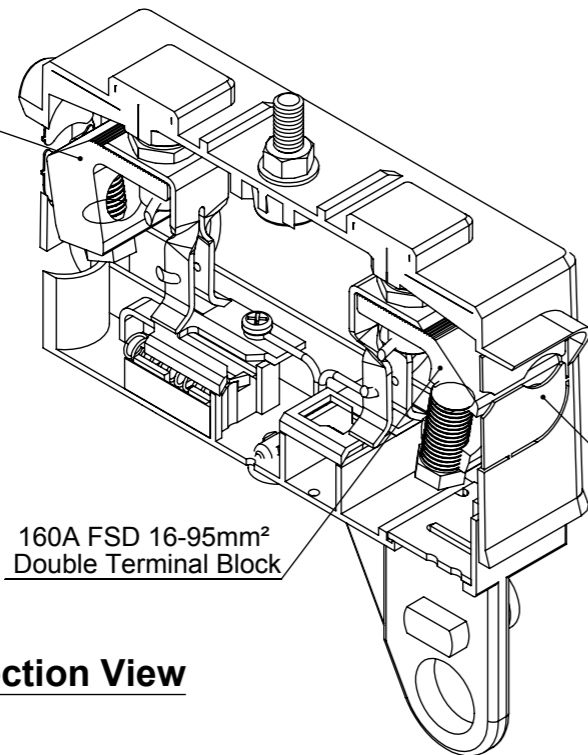


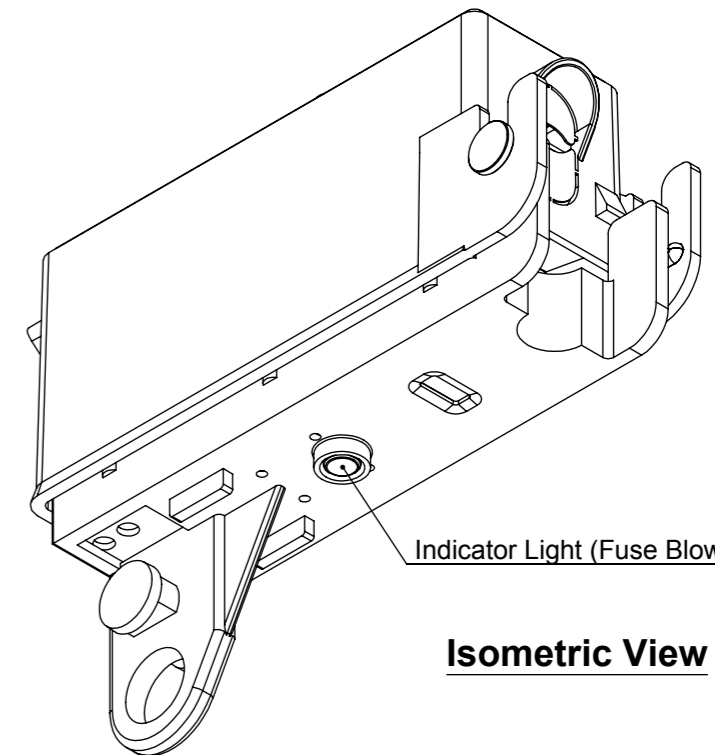
This drawing and its contents are confidential and exclusive property of Hardware Assemblies SEFAG. No publications, copies or distribution may be made without written consent by Hardware Assemblies SEFAG.



160A FSD 16-95mm²
Single Terminal Block



Section View



Isometric View

Technical Data:

Rated insulation voltage, V = 1000 V
 Rated operation current, A = 160 A per phase
 Rated short circuit making capacity, kA = 16 kA
 Rated short circuit withstand current, kA = 16 kA
 Protection class = IP 23
 Maximum conductor size = 95 mm²
 Minimum conductor size = 16 mm²

Manufactured in acc. to: IEC 947-3

Protector class: IP23

Utilization category: AC 22B

DWG NO: 148 013-019

Description FSD160A 16-95 SIDO	Unspecified Tolerances	Weight	Substitute for	
	0, ±1 0,0 ±0.25 0,00 ±0.1 Angles ±1°	kg	Drawn By	23/07/14 VIR
			Checked By	23/07/14 JEG
			Approved By	23/07/14 RON
	Material		Revision	002
	Scale	Drawing/Part Number		
	N.T.S.	HAFSD 160SIDO		

PFISTERER (PTY) LTD